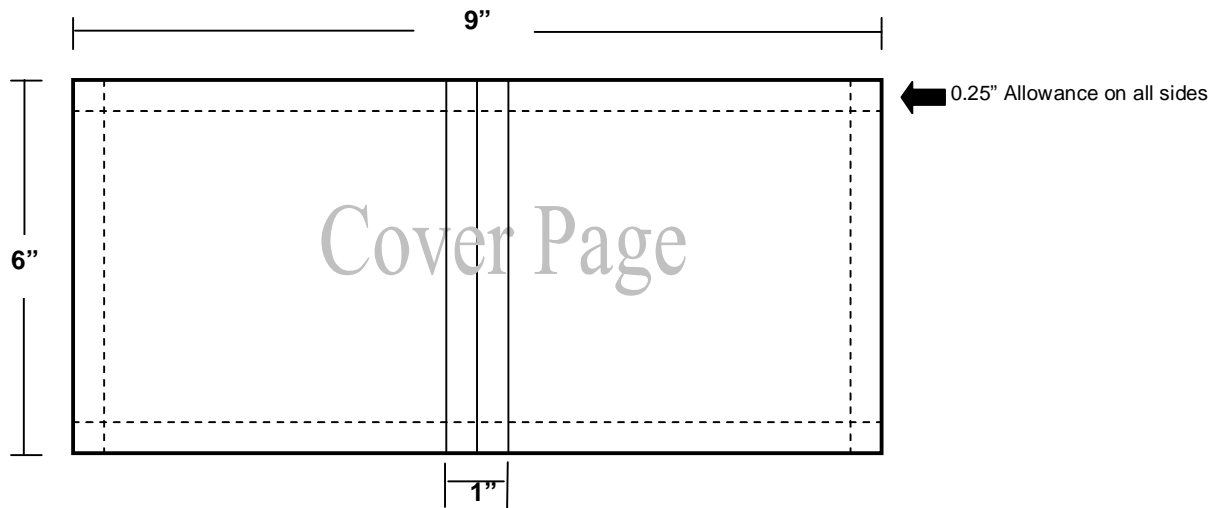
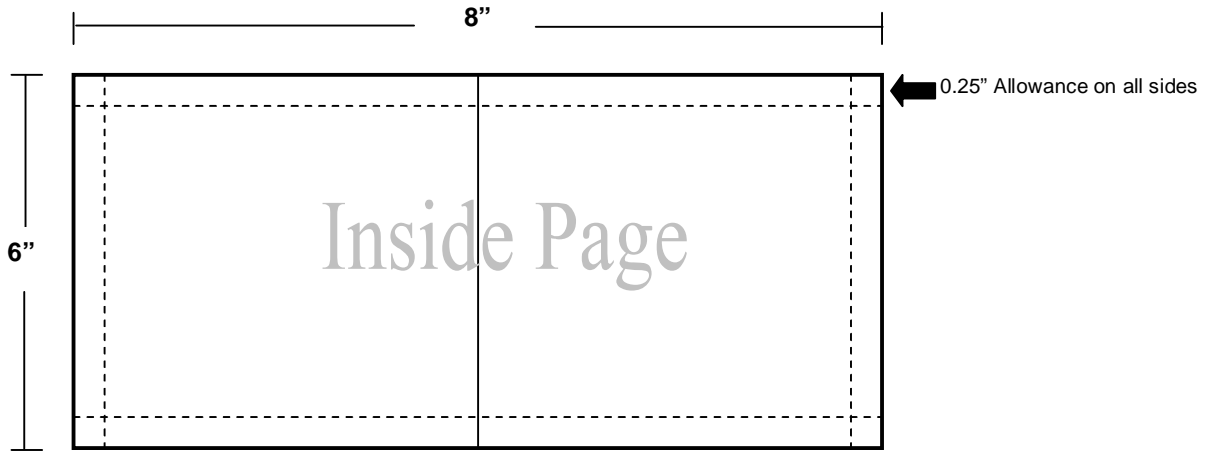


FUJIFILM DIGITAL IMAGING ALBUM SPECIFICATIONS GUIDE

4x6 Album



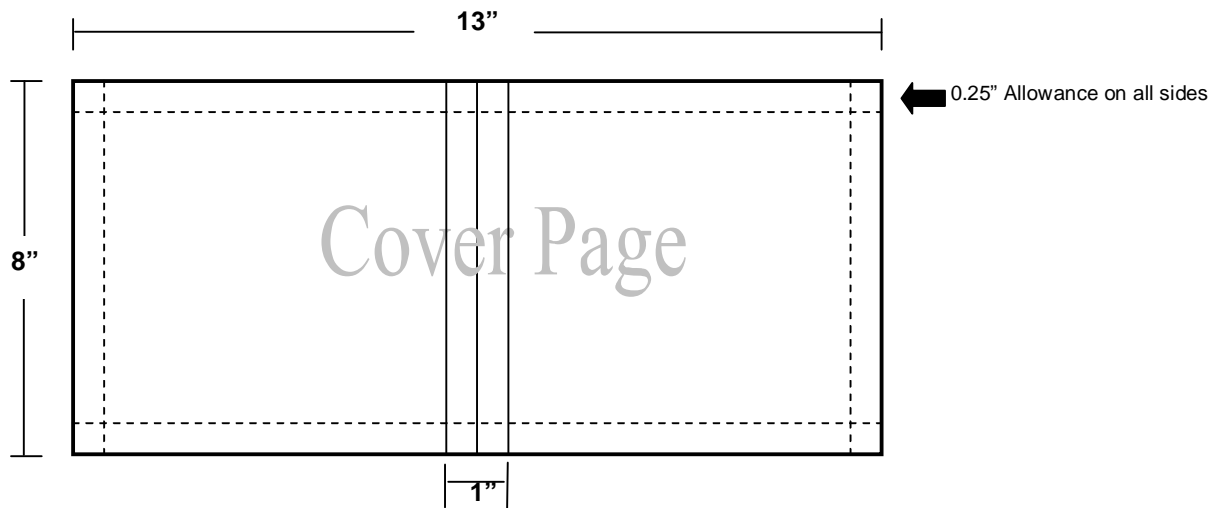
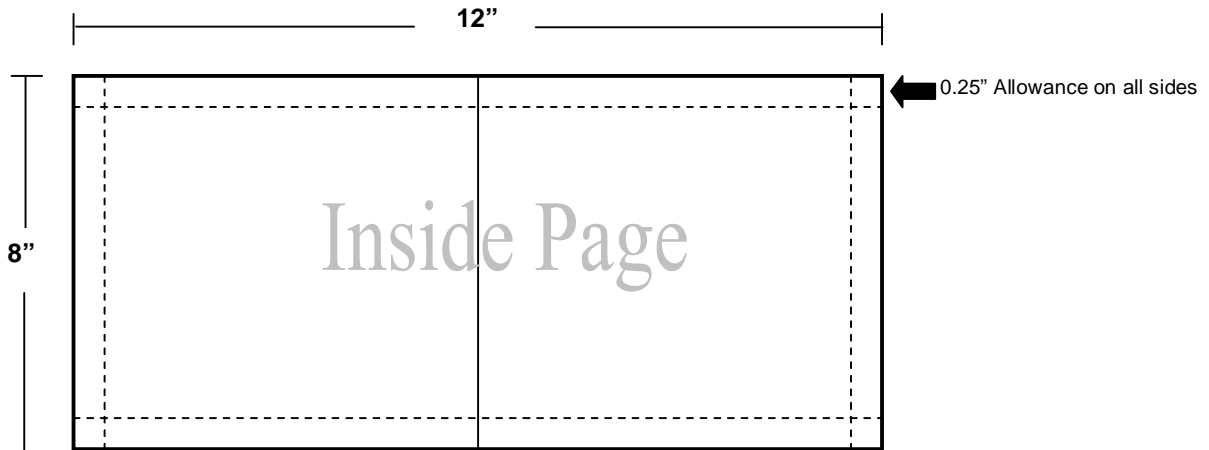
ESTIMATED NO. OF IMAGES ON 4x6 ALBUM	
10 Pages	20 – 40 images
20 Pages	50 – 90 images
30 Pages	100 – 120 images

Notes:

1. Layout should be saved in jpeg format at 300dpi resolution.
2. Necessary density and color adjustments should be made prior to rendering the final layout.
3. Color and density will differ from the original file.

FUJIFILM DIGITAL IMAGING ALBUM SPECIFICATIONS GUIDE

6x8 Album



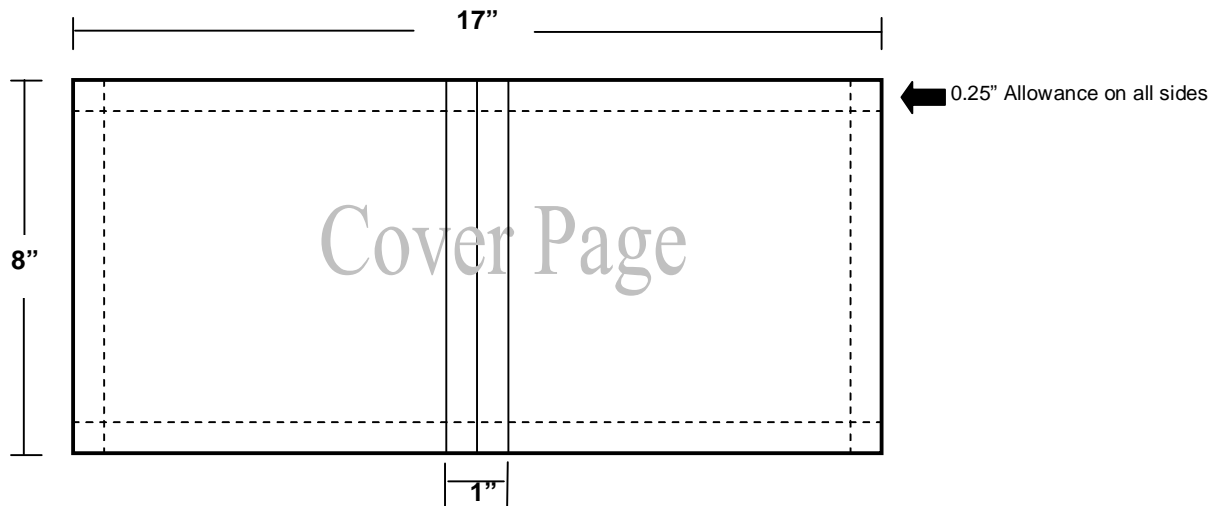
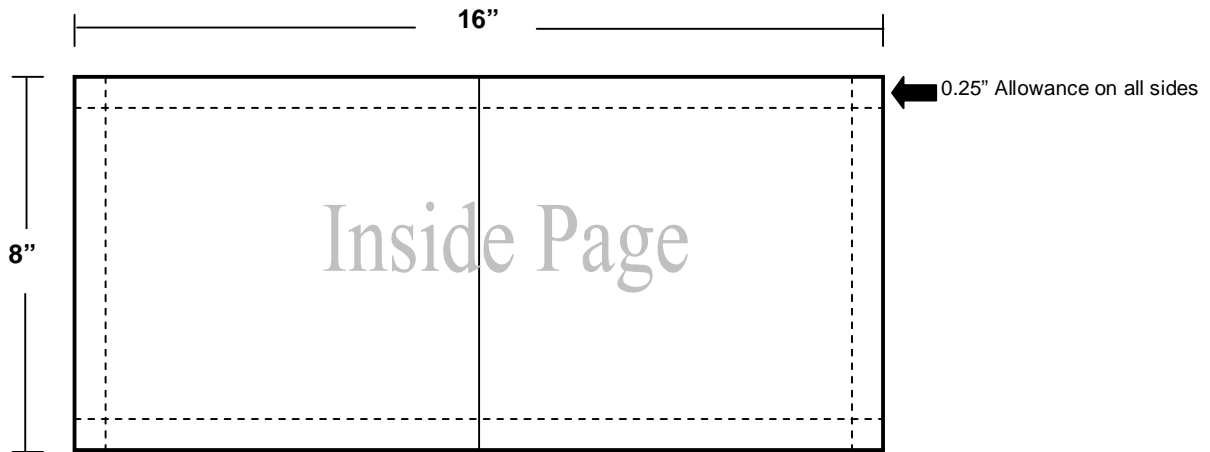
ESTIMATED NO. OF IMAGES ON 6x8 ALBUM	
10 Pages	30 – 60 images
20 Pages	70 – 90 images
30 Pages	100 – 120 images

Notes:

1. Layout should be saved in jpeg format at 300dpi resolution.
2. Necessary density and color adjustments should be made prior to rendering the final layout.
3. Color and density will differ from the original file.

FUJIFILM DIGITAL IMAGING ALBUM SPECIFICATIONS GUIDE

8x8 Album



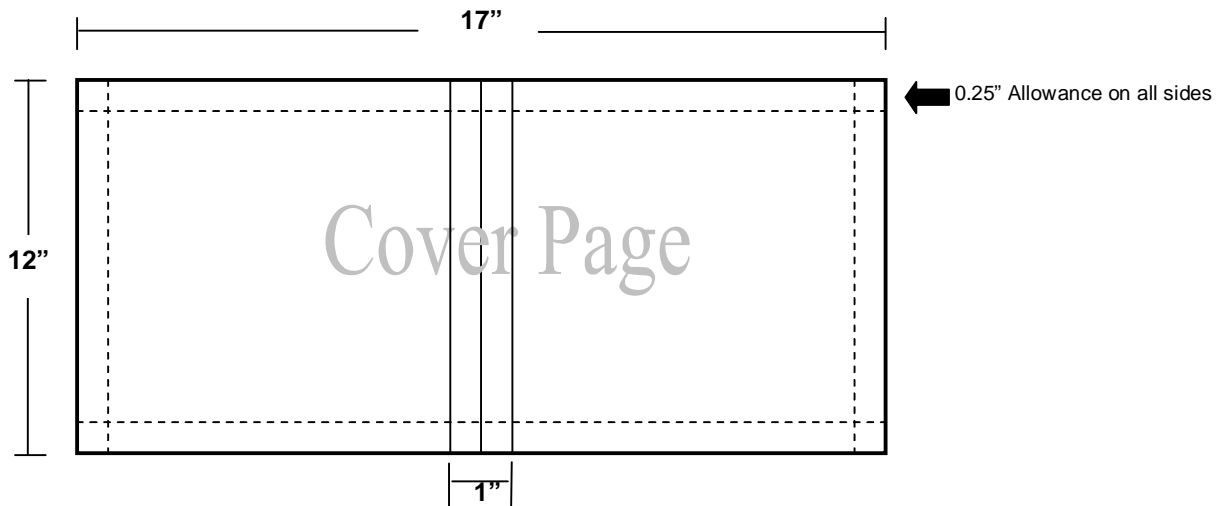
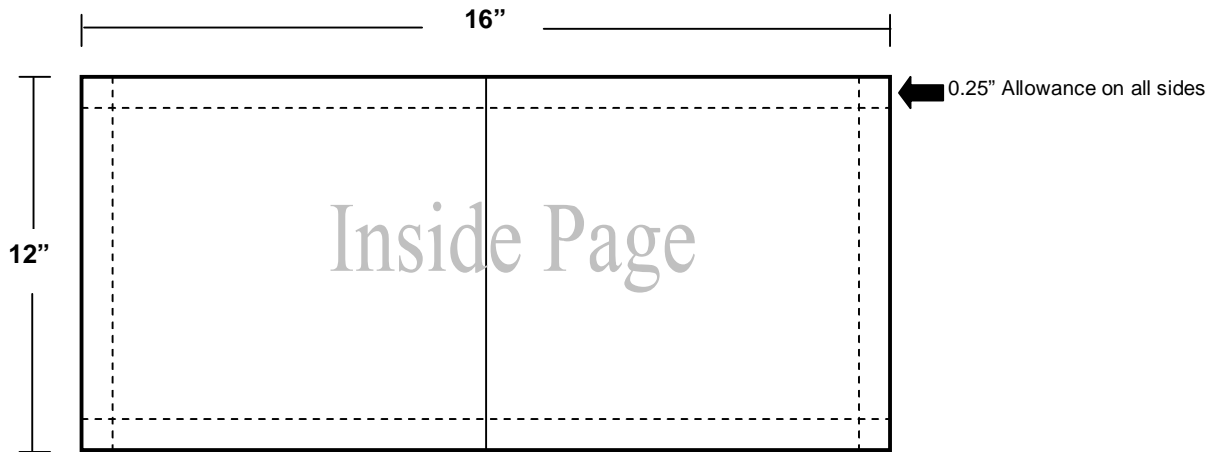
ESTIMATED NO. OF IMAGES ON 8x8 ALBUM	
10 Pages	50 – 70 images
20 Pages	80 – 100 images
30 Pages	100 – 120 images

Notes:

1. Layout should be saved in jpeg format at 300dpi resolution.
2. Necessary density and color adjustments should be made prior to rendering the final layout.
3. Color and density will differ from the original file.

FUJIFILM DIGITAL IMAGING ALBUM SPECIFICATIONS GUIDE

8x12 Album



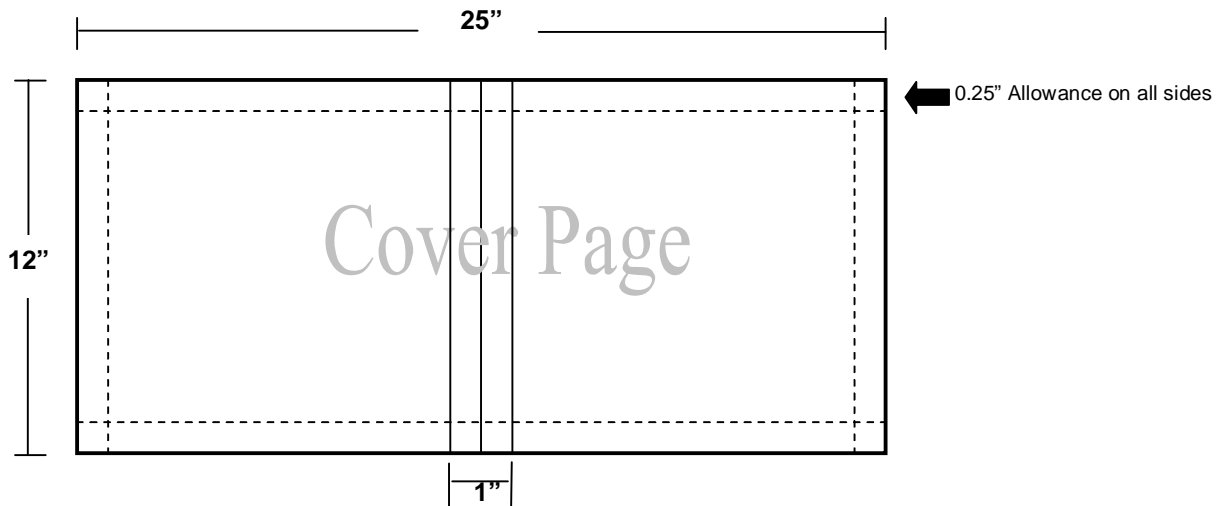
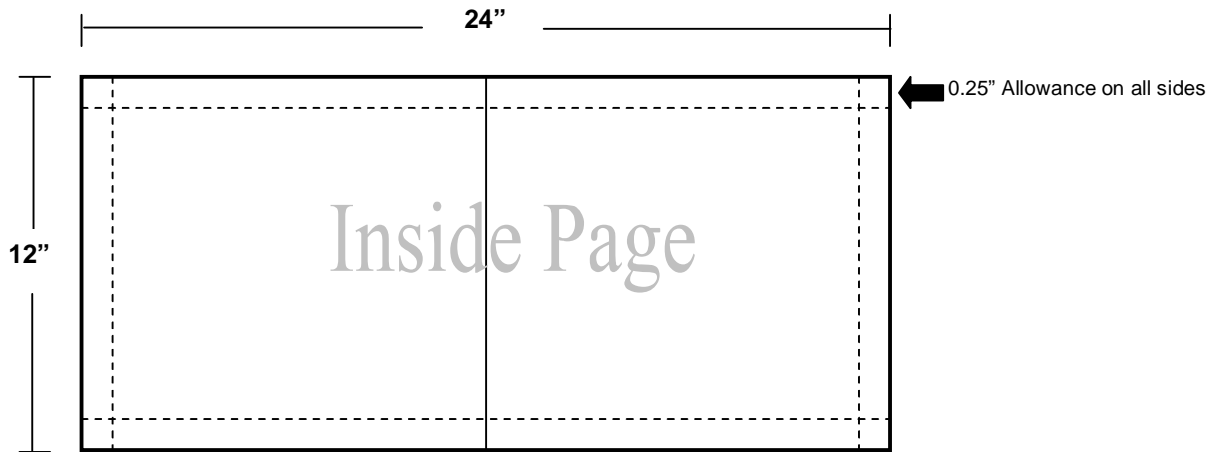
ESTIMATED NO. OF IMAGES ON 8x12 ALBUM	
10 Pages	60 – 80 images
20 Pages	90 – 110 images
30 Pages	120 – 140 images

Notes:

1. Layout should be saved in jpeg format at 300dpi resolution.
2. Necessary density and color adjustments should be made prior to rendering the final layout.
3. Color and density will differ from the original file.

FUJIFILM DIGITAL IMAGING ALBUM SPECIFICATIONS GUIDE

12x12 Album



ESTIMATED NO. OF IMAGES ON 12x12 ALBUM	
10 Pages	80 – 100 images
20 Pages	110 – 140 images
30 Pages	150 – 200 images

Notes:

1. Layout should be saved in jpeg format at 300dpi resolution.
2. Necessary density and color adjustments should be made prior to rendering the final layout.
3. Color and density will differ from the original file.